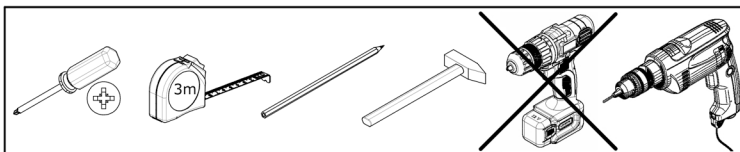
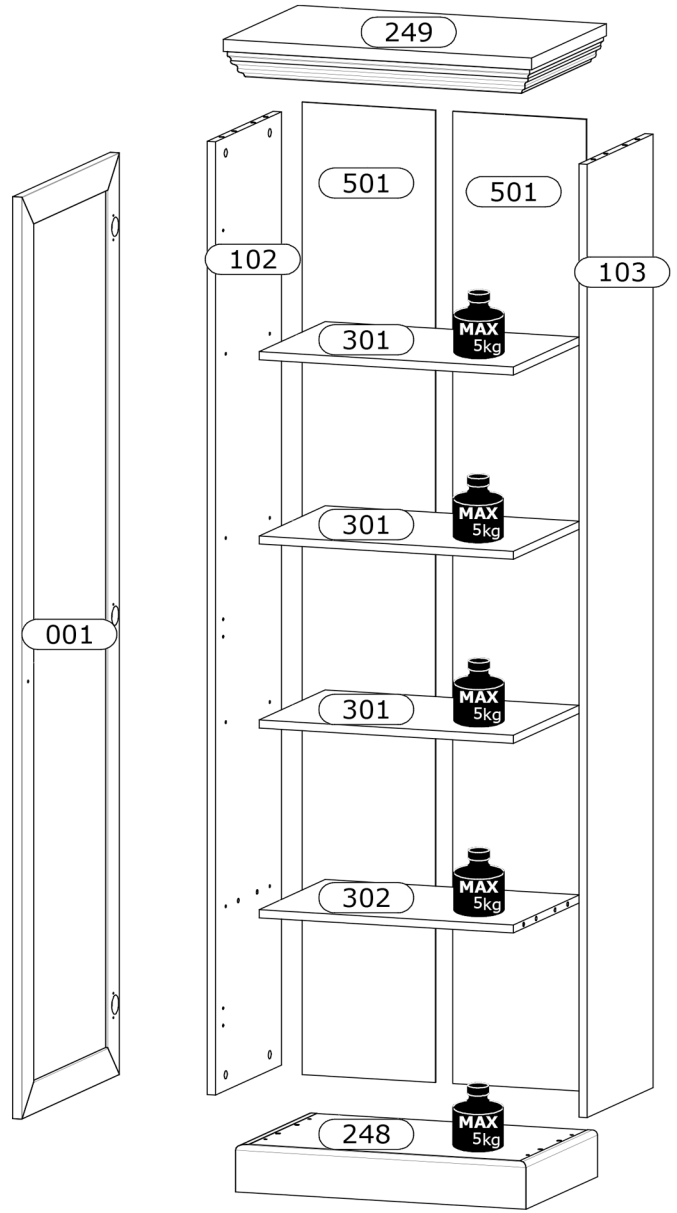
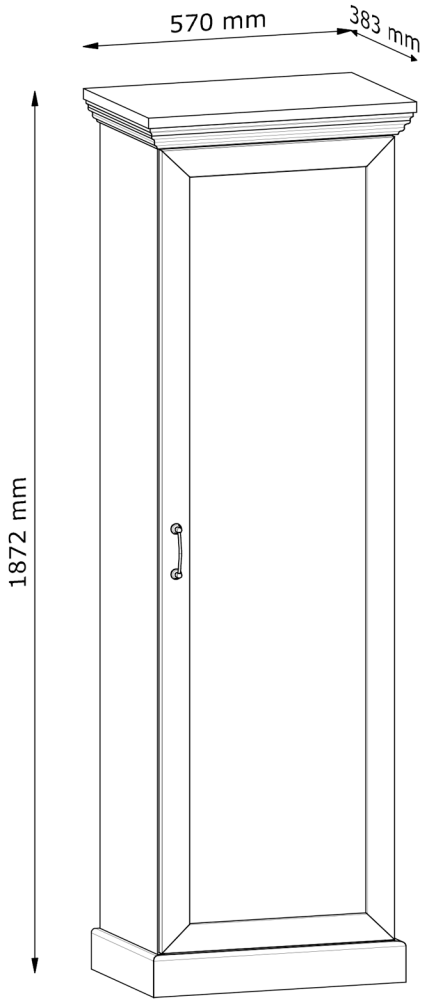


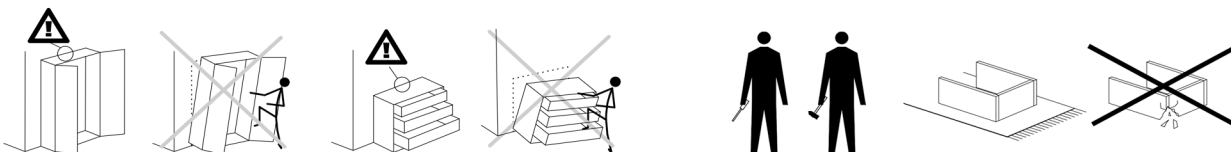
# Royal

# S1D

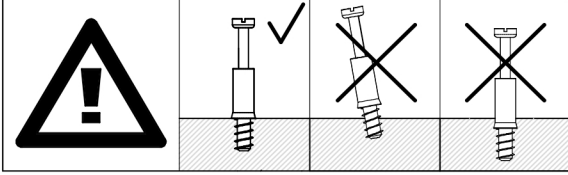
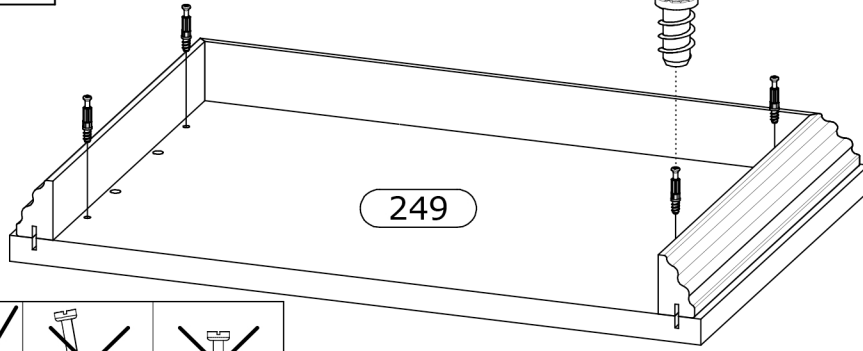
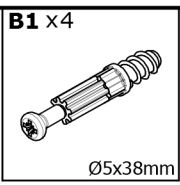


<b>A1</b> x12 Ø8x35mm	<b>B1</b> x12 Ø5x38mm	<b>C1</b> x12 Ø15x12mm	<b>E1</b> x12 Ø5x16mm	<b>G1</b> x42 26mm
<b>H</b> x1 1795 mm	<b>J6</b> x12 Ø21mm	<b>T4</b> x1 75x28x16 mm	<b>U7</b> x1 118x22mm	<b>W2</b> x8 Ø3,5x16mm
<b>X3</b> x2 M4x22mm	<b>Y1</b> x2 Ø8x1,5mm	<b>Y5</b> x8 Ø15x20mm	<b>Z1</b> x3 50x40, H=2	<b>Z3</b> x3 Ø35, ZK0

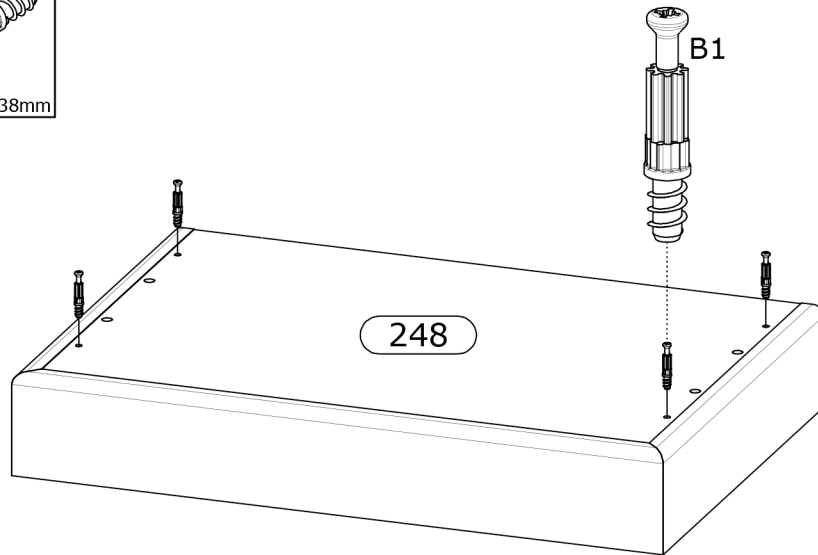
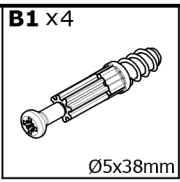
Nr	L[mm]	W[mm]	H[mm]	PCS	Box
001	1702	495	18	1	2/3
102	1760	335	15	1	1/3
103	1760	335	15	1	1/3
248	537	363,5	86	1	3/3
249	570	380	72	1	3/3
301	470	335	15	3	1/3
302	470	335	15	1	1/3
501	1795	247	2,5	2	1/3



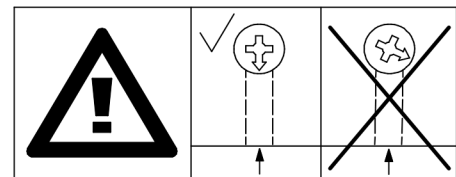
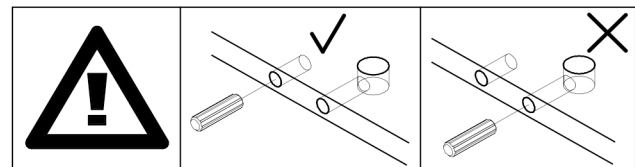
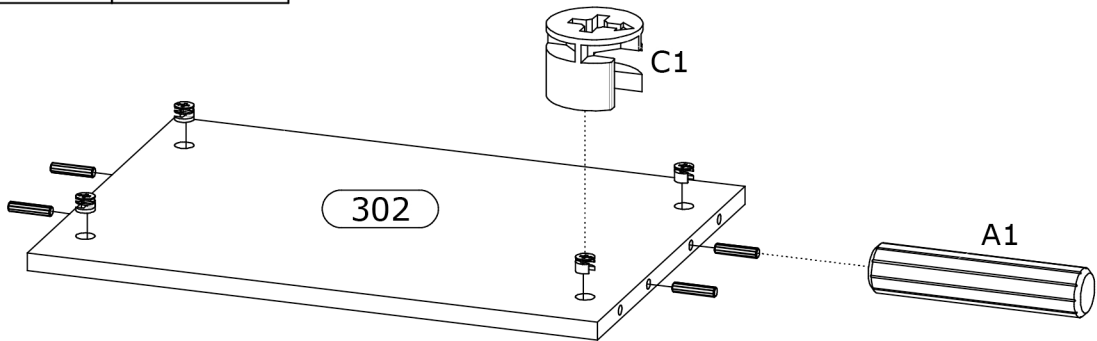
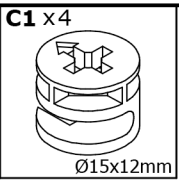
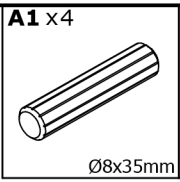
**1**



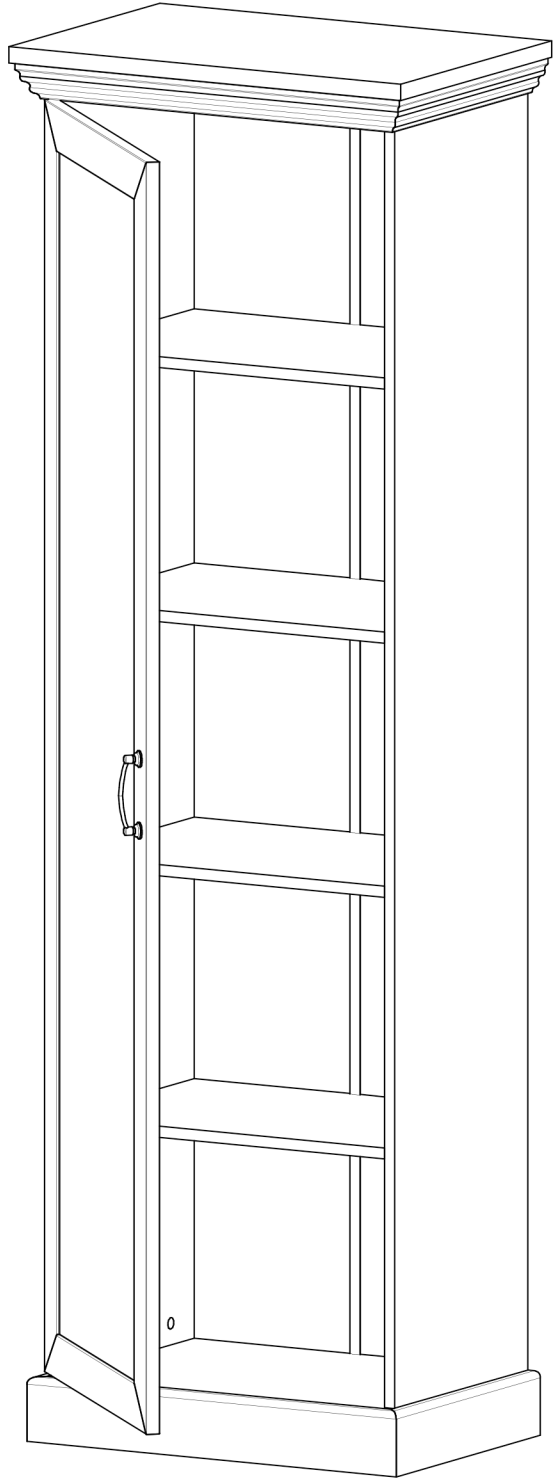
**2**



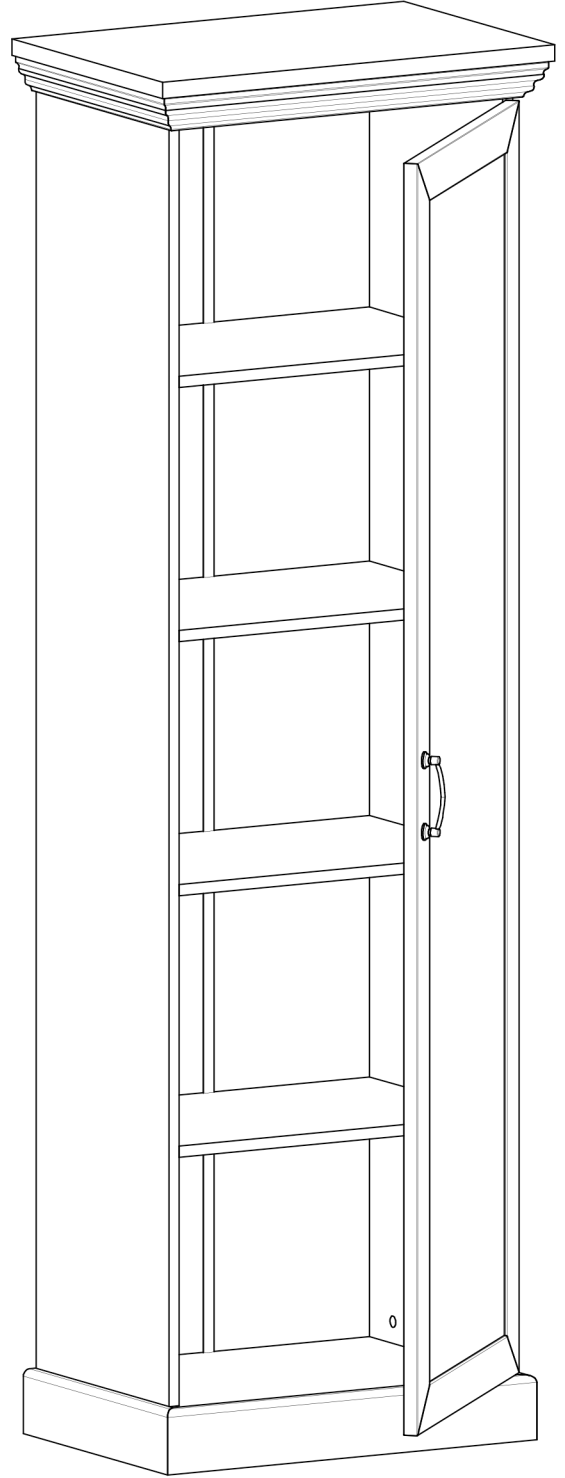
**3**



➔ 4

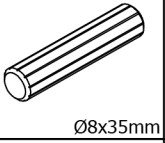


➔ 5

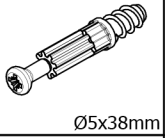


# 4

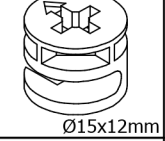
**A1** x 8



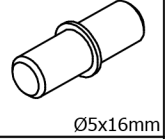
**B1** x 4



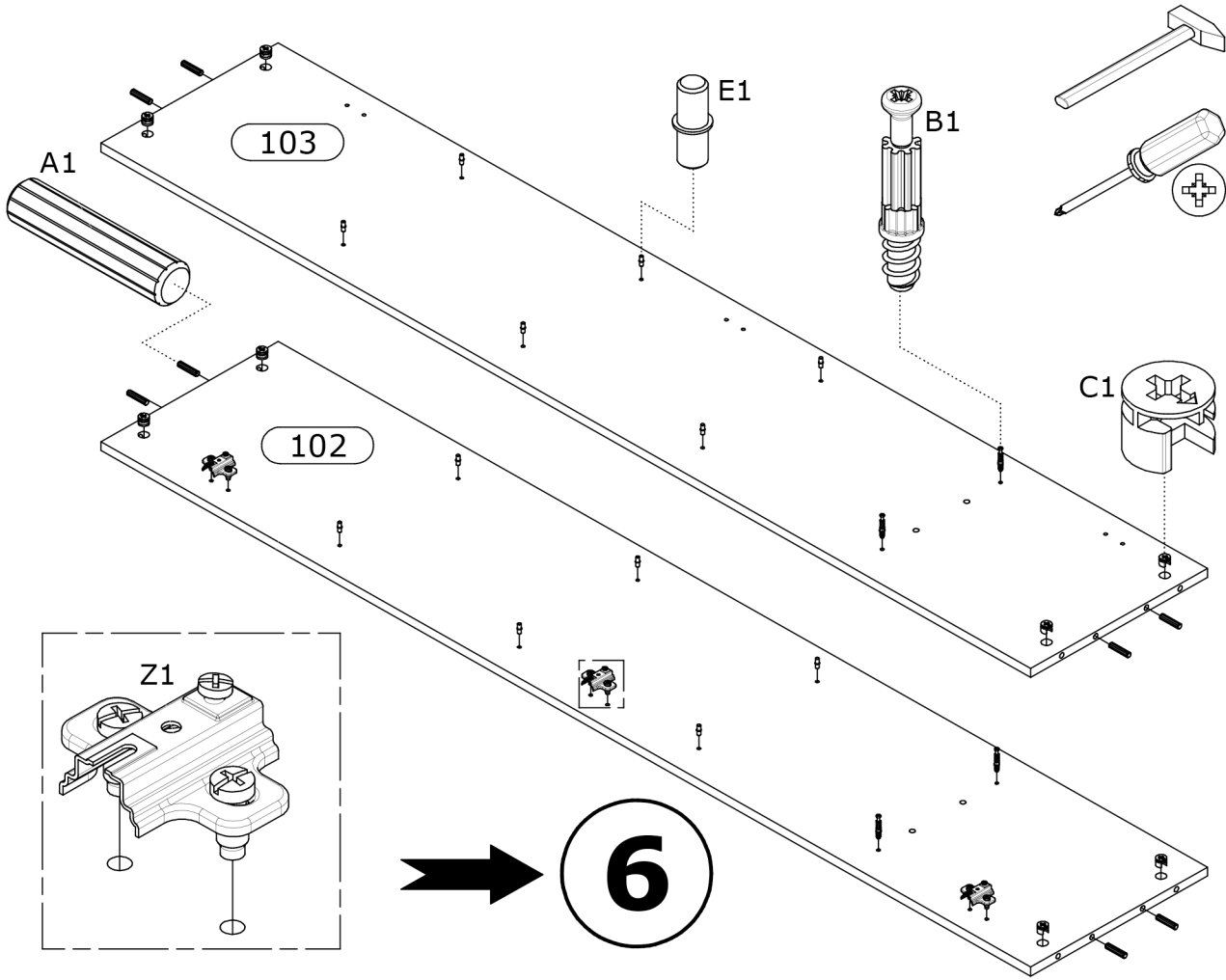
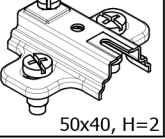
**C1** x 8



**E1** x 12

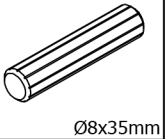


**Z1** x 3

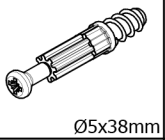


# 5

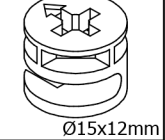
**A1** x 8



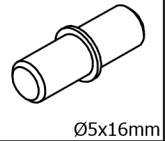
**B1** x 4



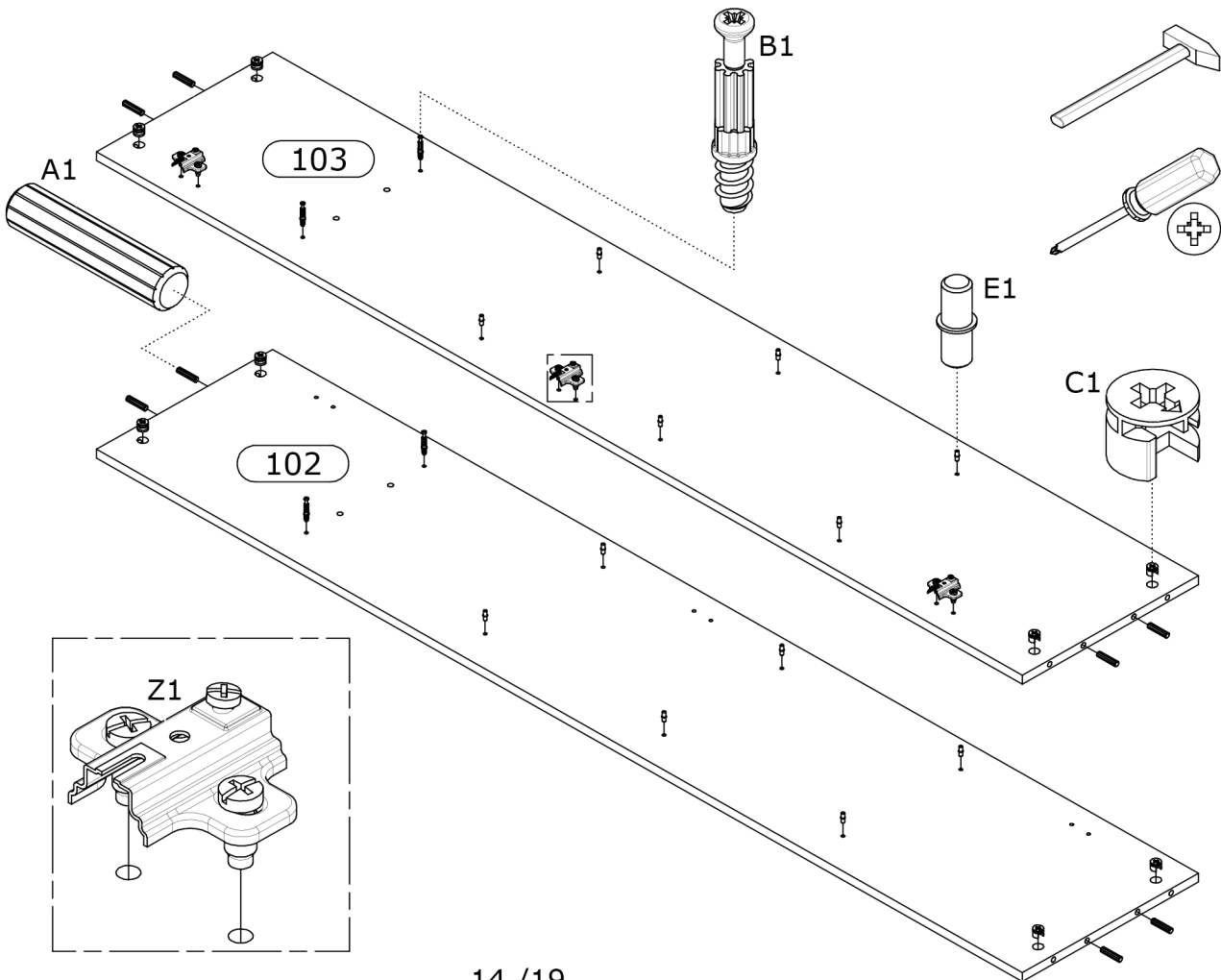
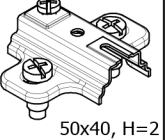
**C1** x 8



**E1** x 12

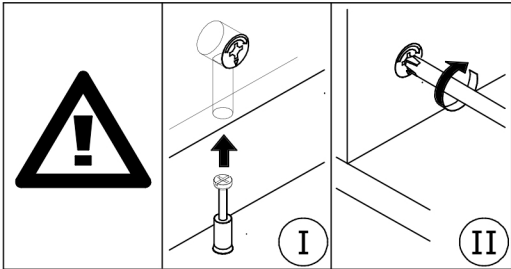
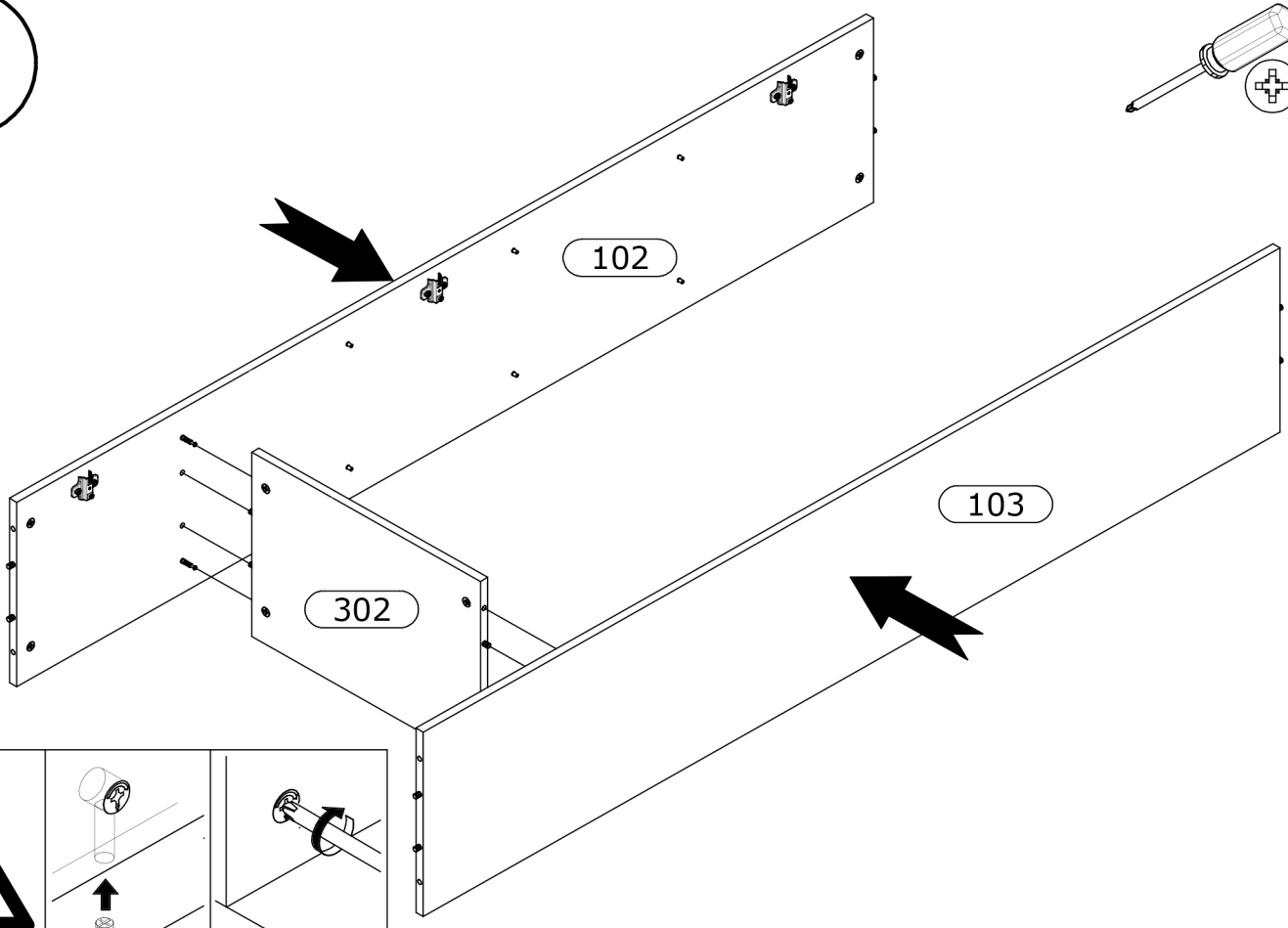
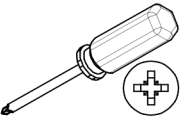


**Z1** x 3

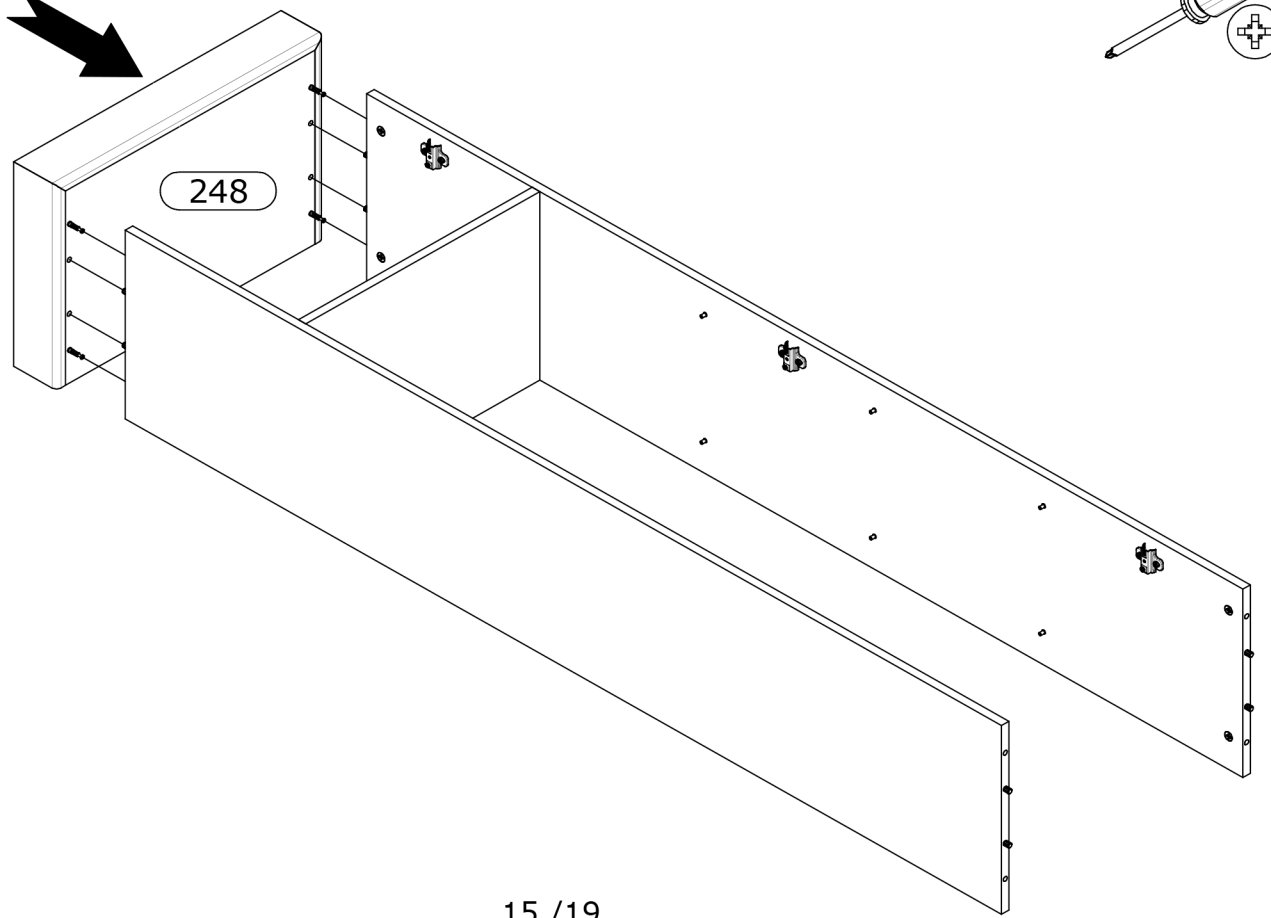
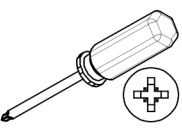




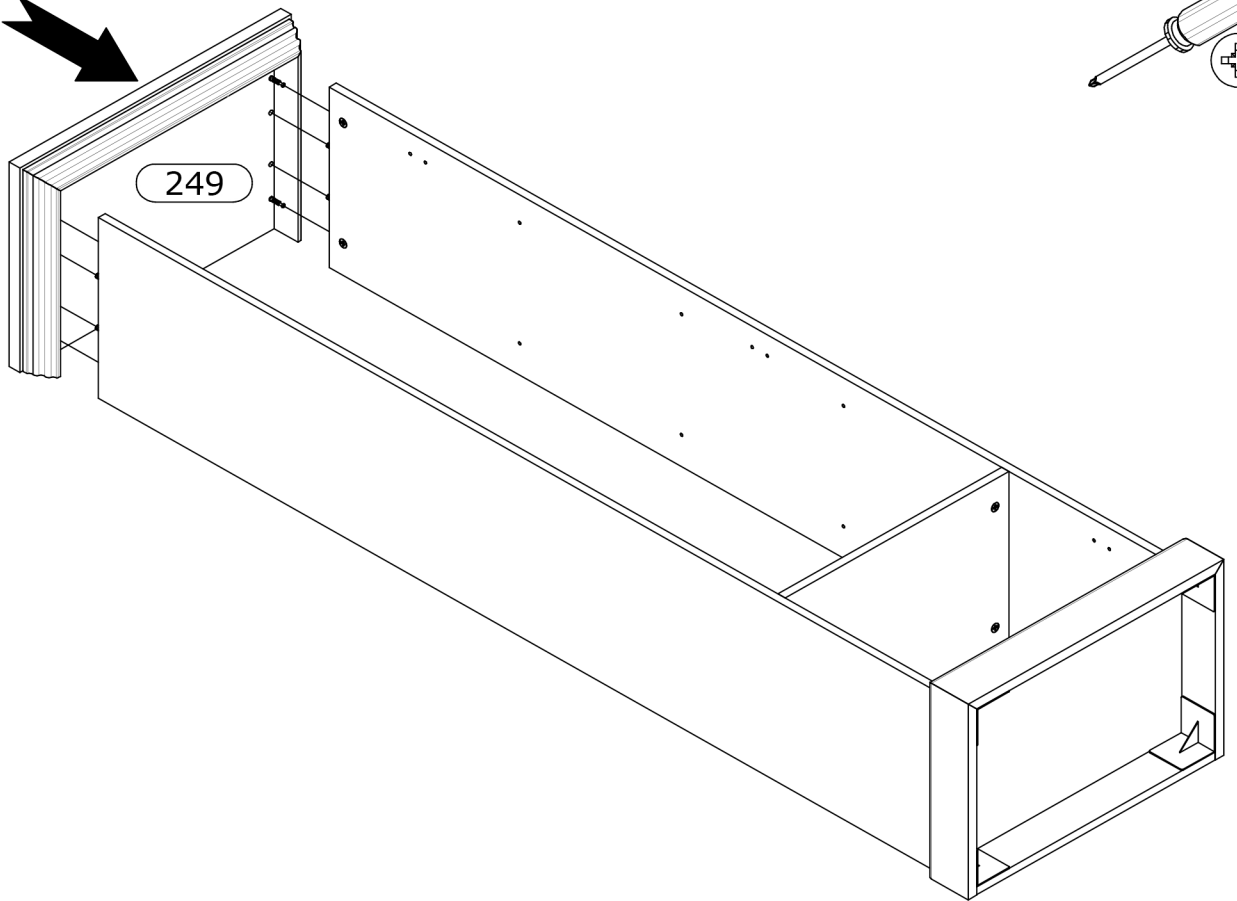
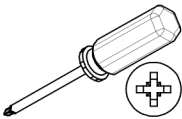
6



7

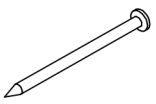


8



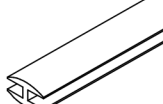
9

G1 x42



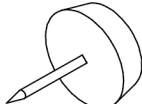
26mm

H x1

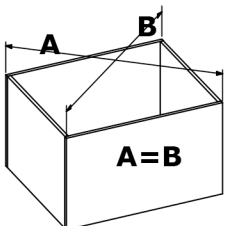
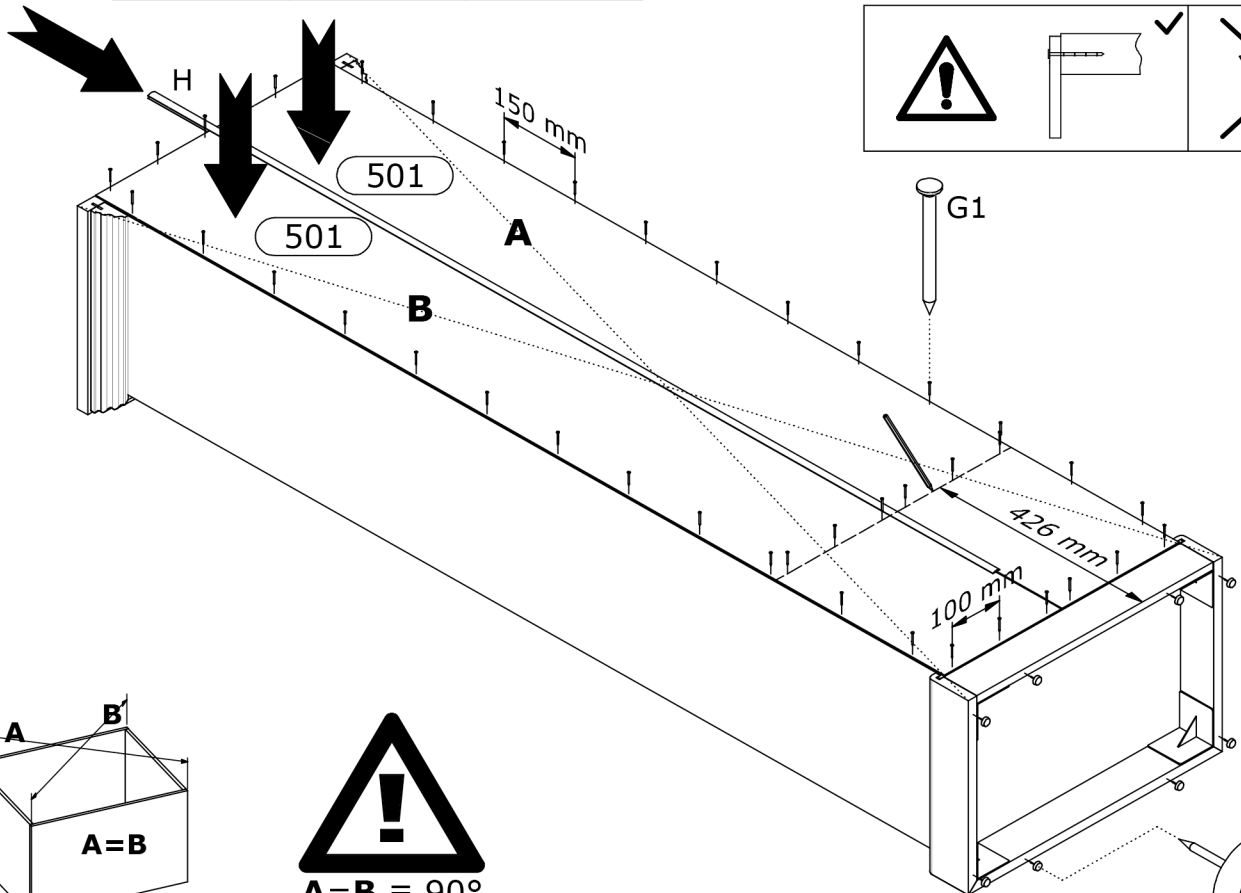
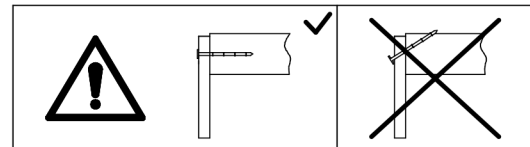
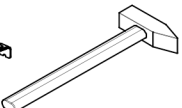
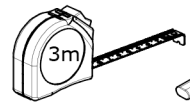


1795 mm

Y5 x8

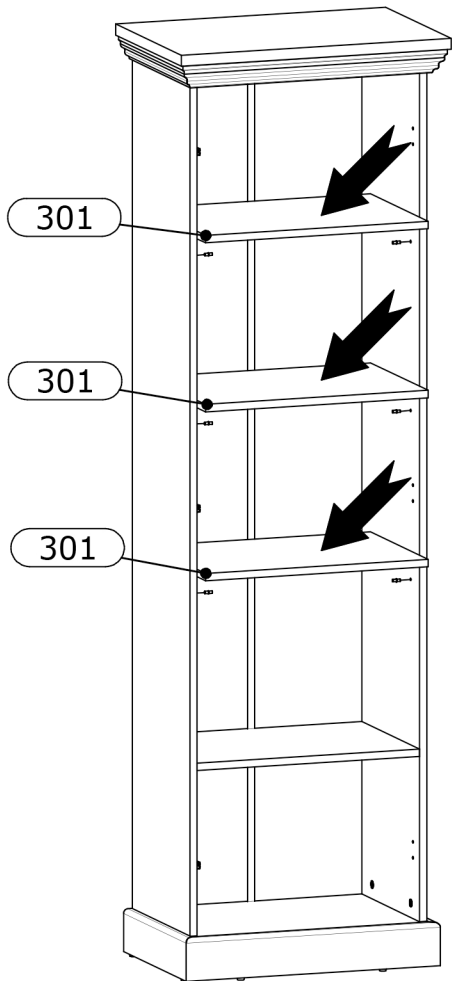


Ø15x20mm

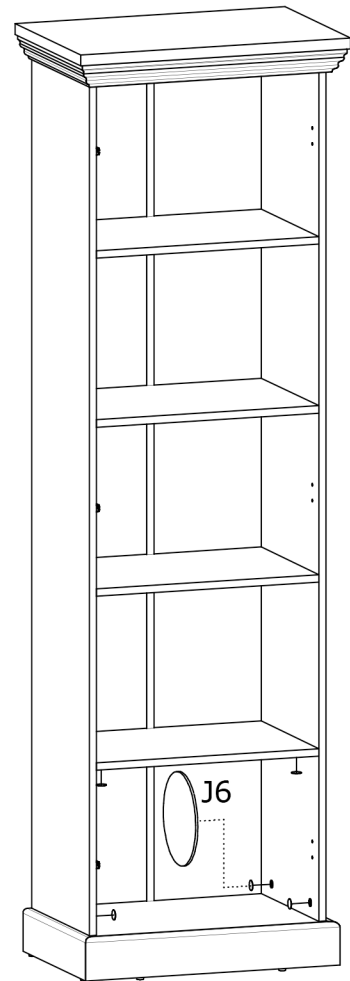
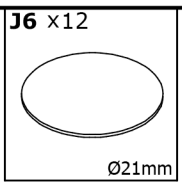


A=B ≡ 90°

**10**

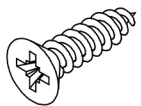


**11**



**12**

**W2 x6**



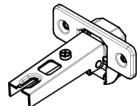
Ø3,5x16mm

**Y1 x2**

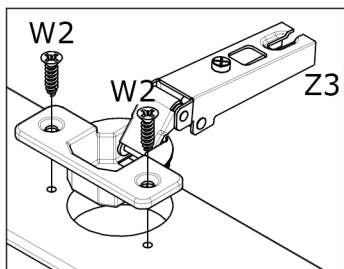
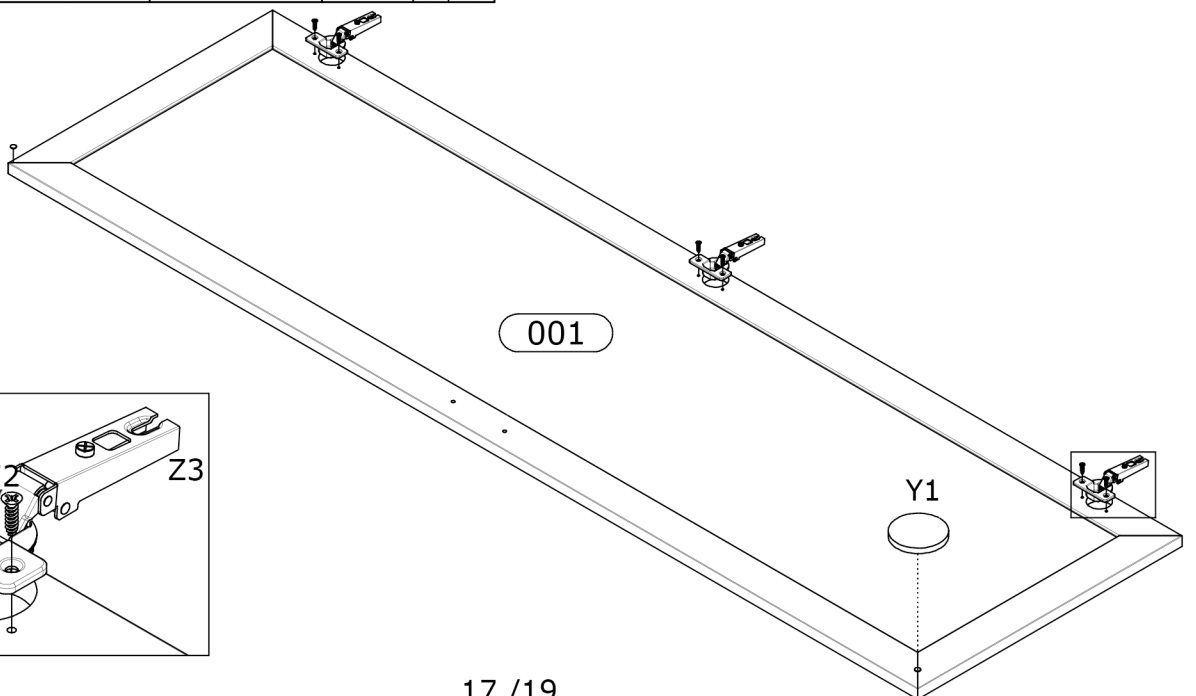
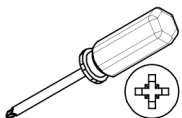


Ø8x1,5mm

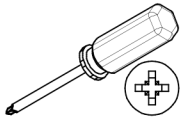
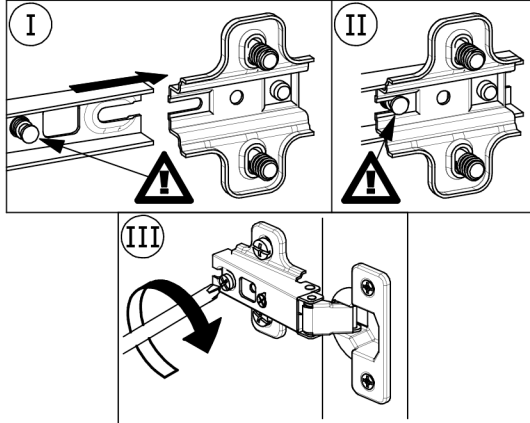
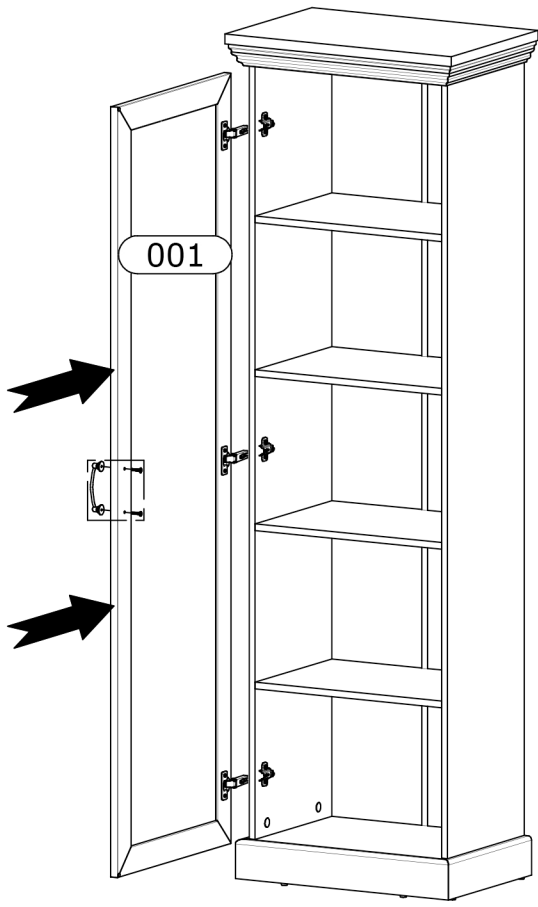
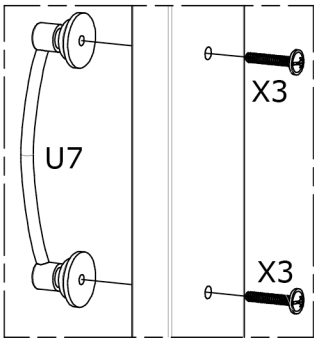
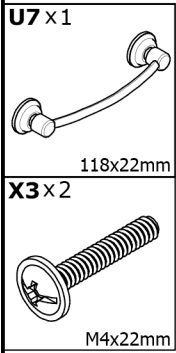
**Z3 x3**



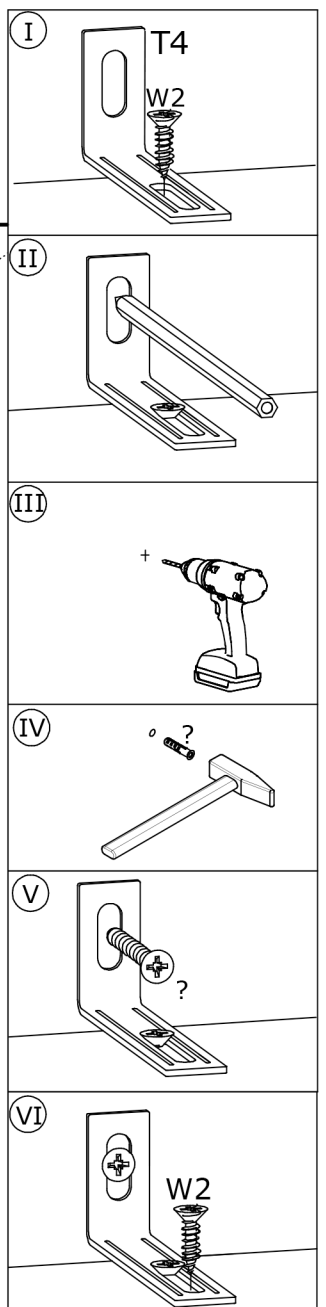
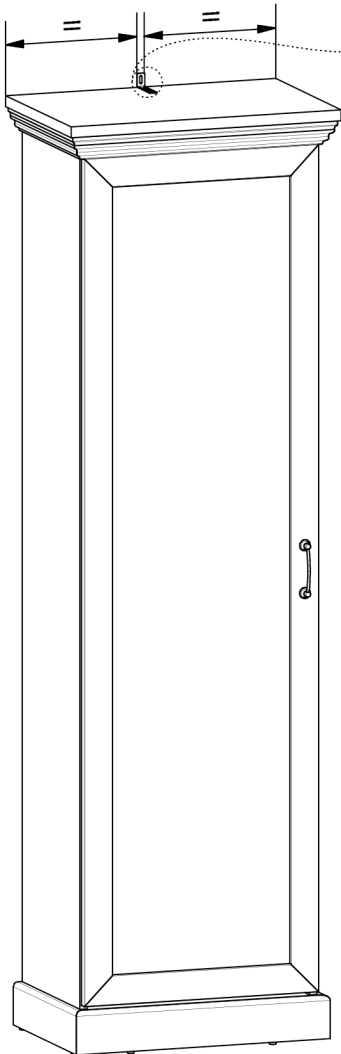
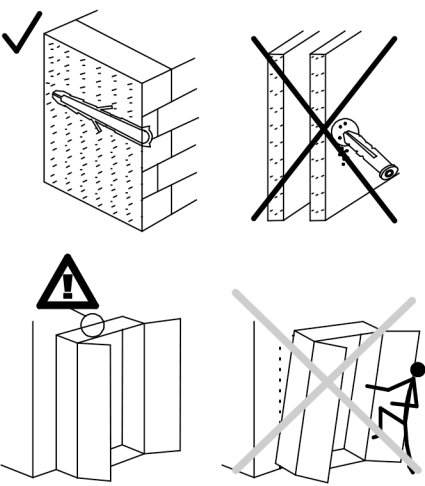
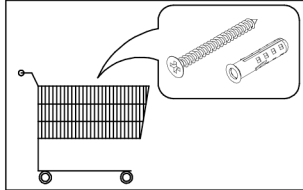
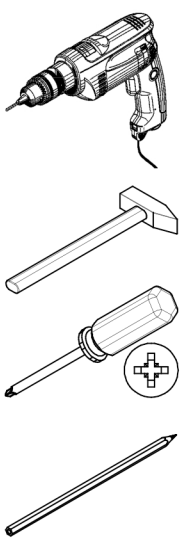
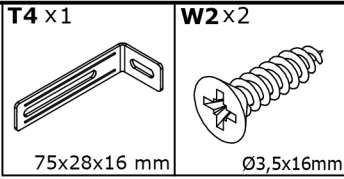
Ø35, ZK0



# 13



# 14



# 15

